



KHAITAN INDUSTRIAL

EXPECT THE BEST

KI-CV 1.5M

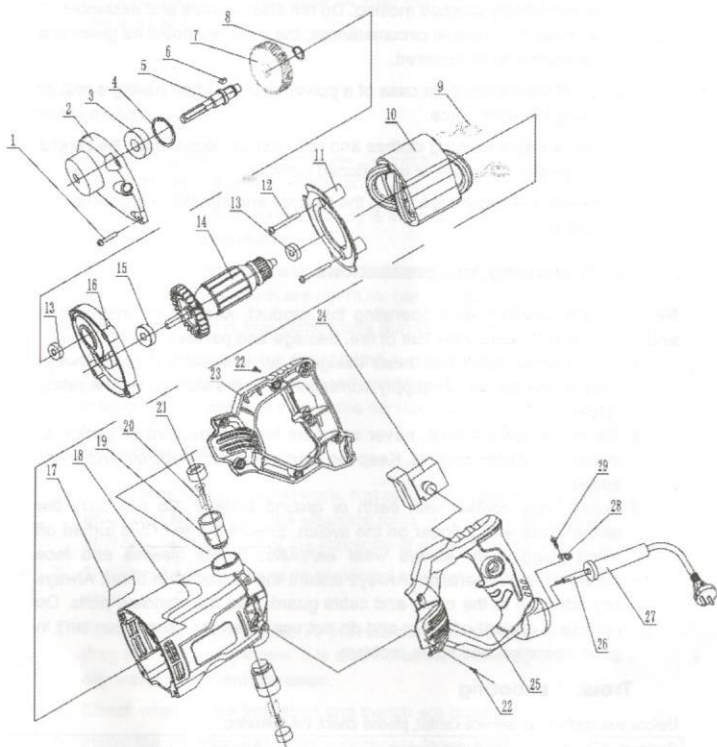
KI-CV 3M

CONCRETE VIBRATOR

OPERATION INSTRUCTIONS



Industrial Series



No	Name of parts	No	Name of parts
1	Screw ST5*35	16	Middle Cover
2	Gear Box	17	Nameplate
3	Bearing 6201	18	Housing
4	Ring 32	19	Brush Holder
5	Spindle	20	Carbon Brush
6	Key 3*3.7*10	21	Brush Cover
7	Big Gear	22	Screw ST4*16
8	Washer 12	23	Left Handle
9	Tension Spring	24	Switch
10	Filed Coil	25	Right Handle
11	Windshield	26	Cable
12	Screw ST5*55	27	Cable Protector
13	Bearing 608	28	Cable Clamp
14	Armature	29	Screw ST4*14
15	Bearing 6200		

Reinstall the container into the sprayer and turn it in the clockwise direction.